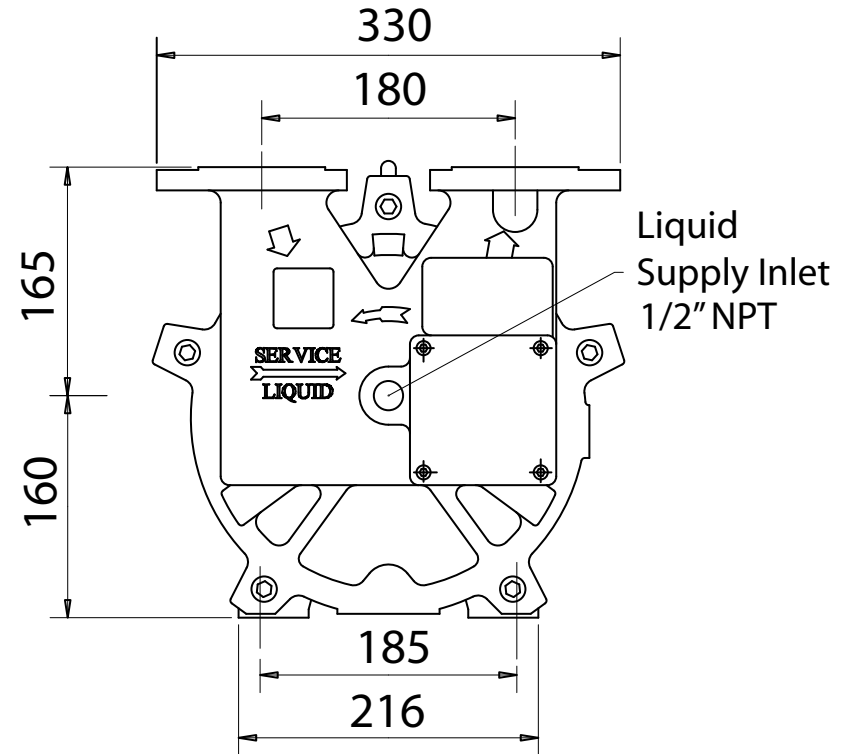
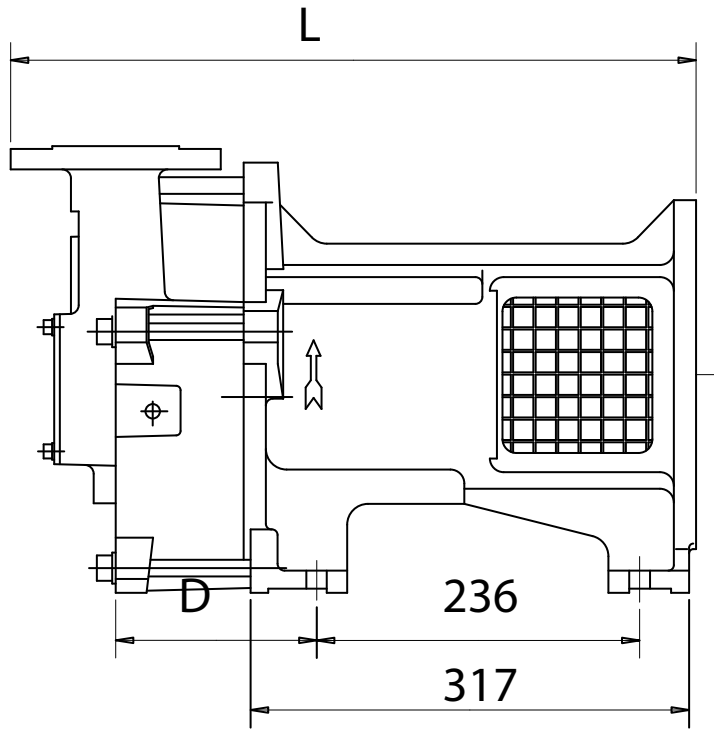


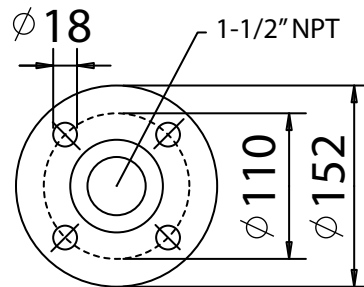


VACUUM PUMPS

MONOBLOCK VACCUM PUMP ML40 SERIES



COMPANION FLANGE



Pump Model	A	B
ML40-110	139	495
ML40-150	162	518