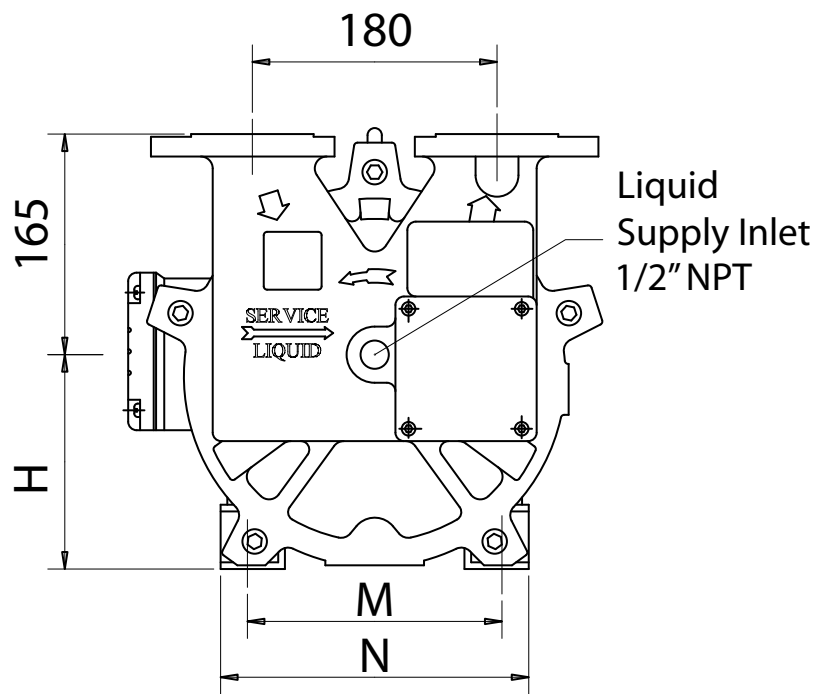
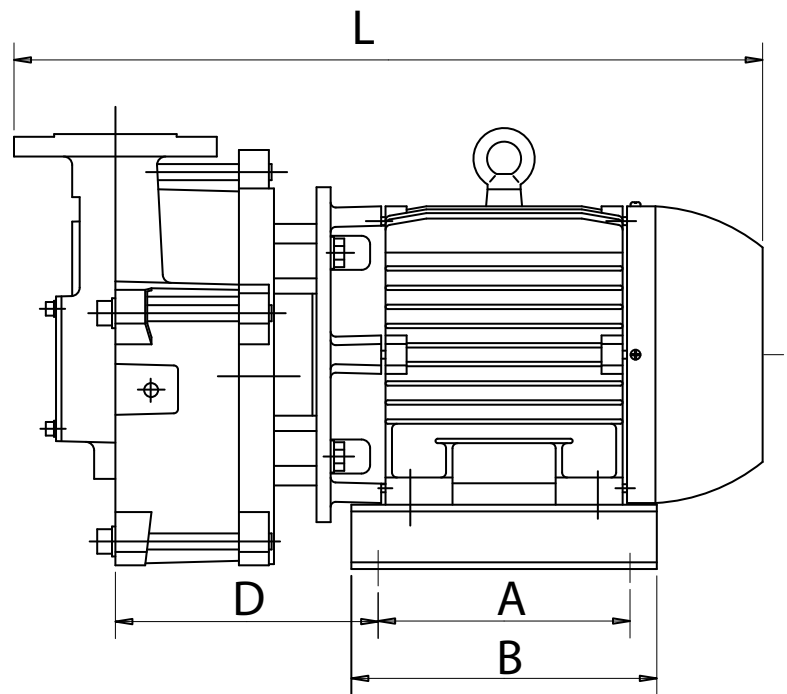


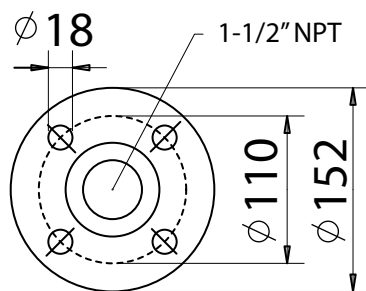


VACUUM PUMPS

MONOBLOCK VACCUM PUMP MC40 SERIES



COMPANION FLANGE



Pump Model	A	B	D	H	L	M	N
MC40-110	188	228	190	160	565	190	230
MC40-150	260	300	245	180	690	216	256
MC40-200	188	228	178	180	684	216	256