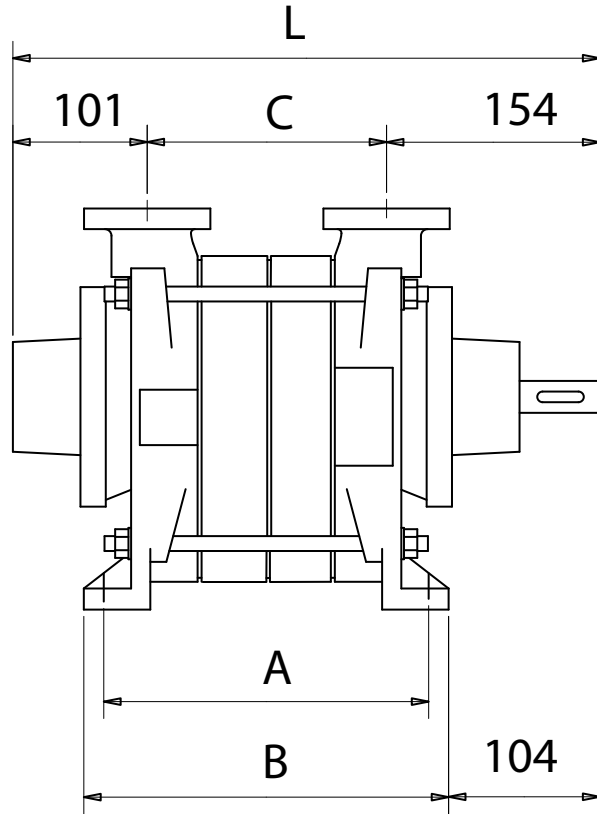


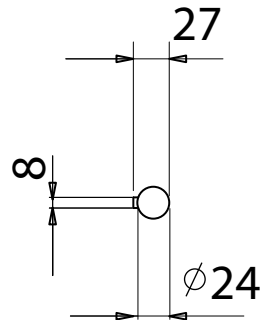


VACUUM PUMPS

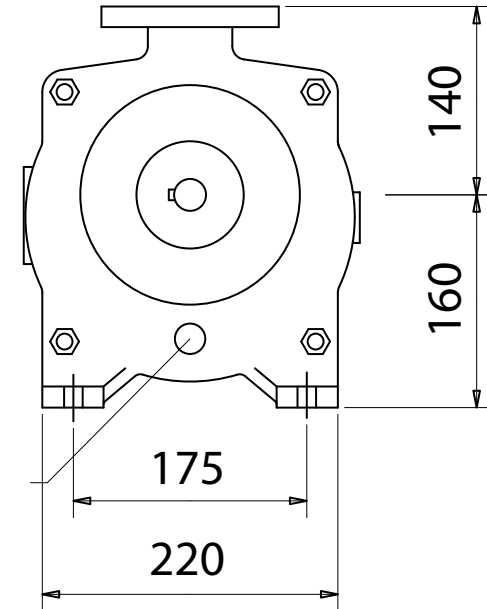
DOUBLE STAGE LIQUID RING VACUUM PUMP D40 SERIES



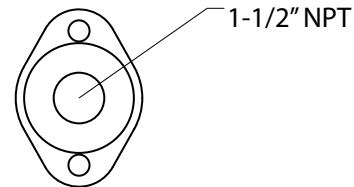
Bareshaft Pump Construction



Liquid Supply Inlet
3/4" NPT



COMPANION FLANGE



Pump Model	A	B	C	L
D40-60	254	284	184	439
D40-110	294	324	224	479